

Base Plate for Compact Routers

This 6" diameter, clear acrylic base plate improves the stability of compact routers without obscuring your view of the workpiece. It also allows the use of 13/16" template guides for template work. Optional wood and stainless-steel handles provide a comfortable grip and improve your control over the router. The 1/4" thick base is pre-drilled for mounting on a compact router (Bosch Colt™ PR20EVS, Ridgid® R2401, Makita® RT0701C, or Porter-Cable® 450 and DeWalt® DWP611).

Base Plate Installation

1. Remove the sub-base from the compact router and set the screws aside.
2. Position the auxiliary base on the bottom of the compact router, aligning it with the mounting holes.
3. Attach using the mounting screws.

Installing a Template Guide

Insert a 13/16" template guide into the hole, as shown in **Figure 1**. Secure with a 13/16" threaded ring nut (05J66.50).

Optional Handles

Attach the optional handles (50J50.12) using the included screws through the countersunk holes in the base, as shown in **Figure 2**.

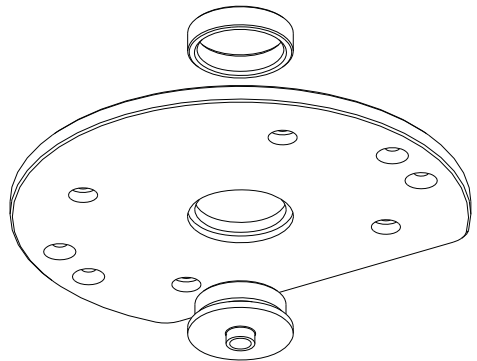


Figure 1: Installing a template guide.

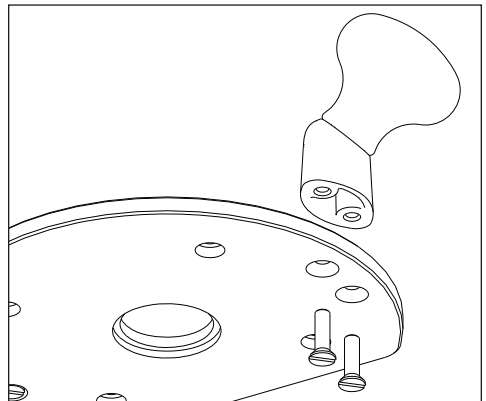


Figure 2: Installing the optional handles.

Accessories

- 05J66.10** Fence and Center Kit
- 50J50.12** Optional Knobs, pair
- 05J66.50** 13/16" Threaded Ring Nut